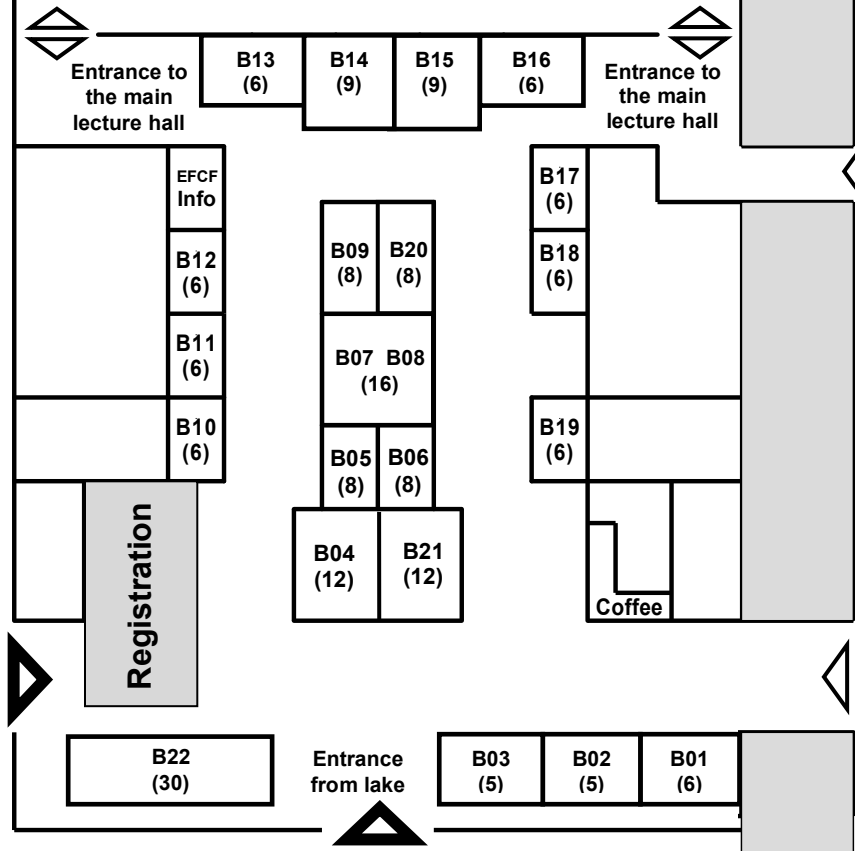


Tract B

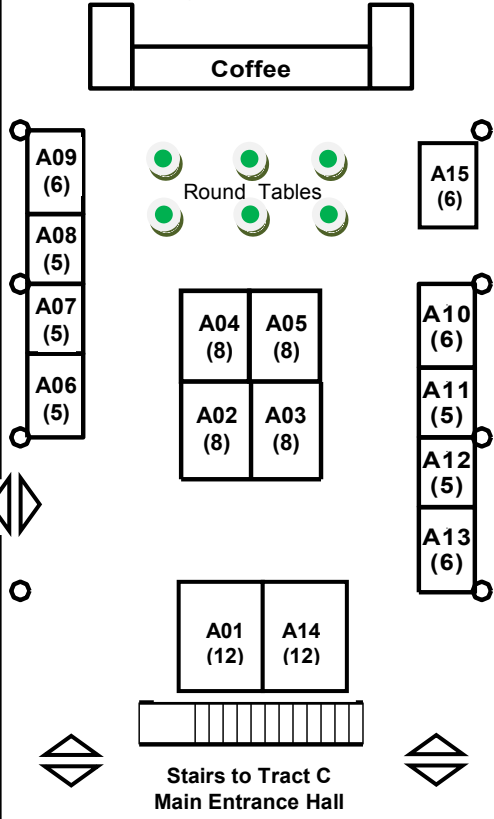
Main Foyer Luzerner Saal



Below Auditorium

Tract A

on ground floor

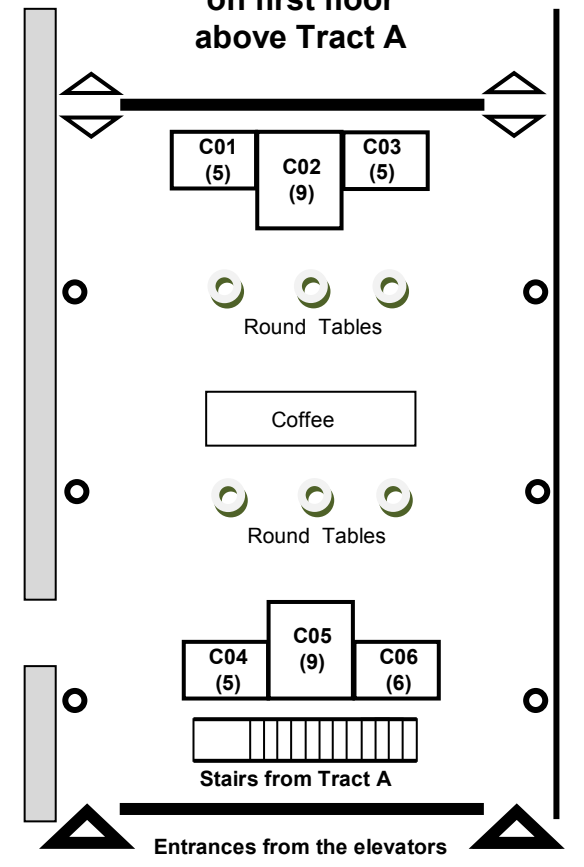


Legend:
 A1-15, B1-20, C1-6 Booth identification
 (6), (9), (12), (16), etc. Booth area in m²

Exhibitor List
www.EFCF.com/ExhibList

Tract C

on first floor
above Tract A



Book your Booth: www.EFCF.com/ByB

FLOORPLAN
EFCF 2024
 KKL, Lucerne, Switzerland 2-5 July