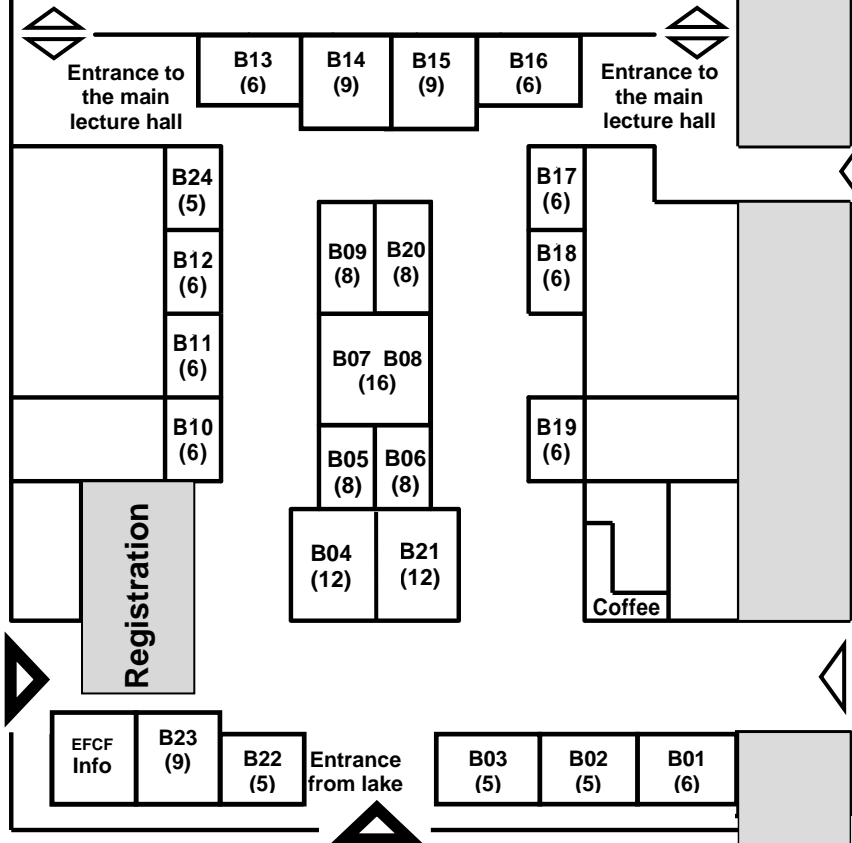


Tract B

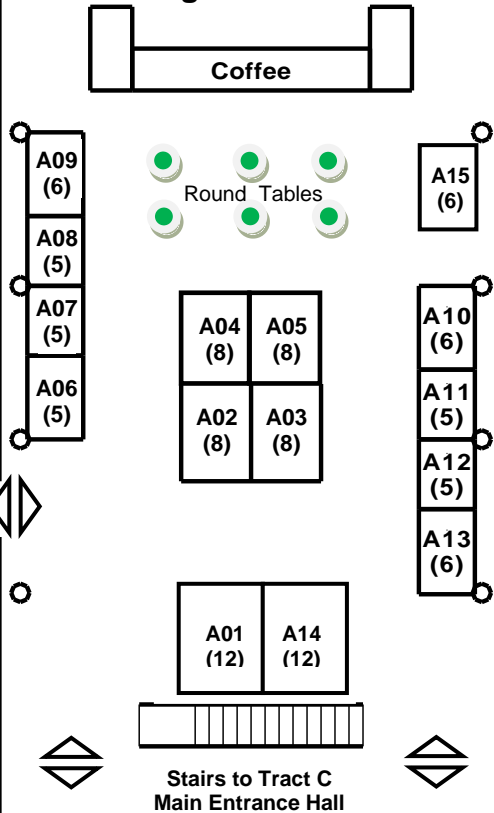
Main Foyer Luzerner Saal



Below Auditorium

Tract A

on ground floor

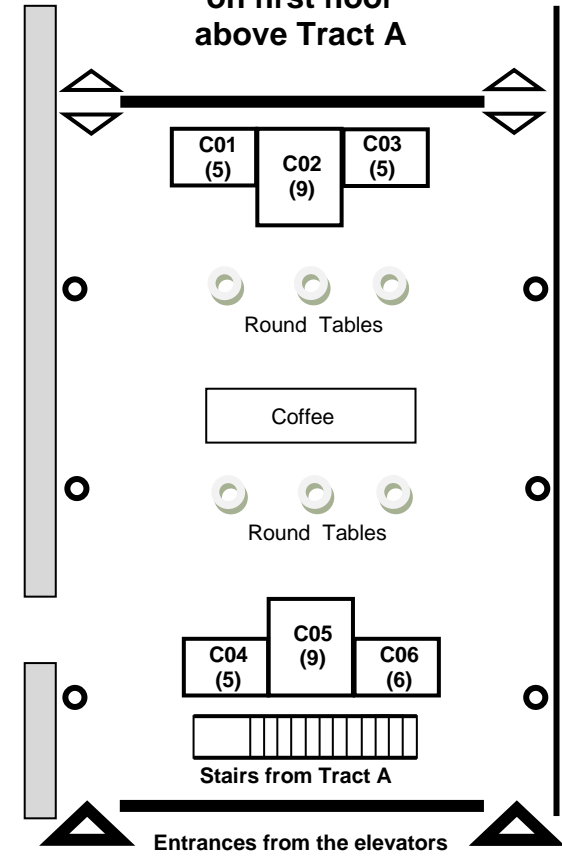


Legend:
 A1-15, B1-20, C1-6 Booth identification
 (6), (9), (12), (16), etc. Booth area in m²

Exhibitor List
www.EFCF.com/ExhibList

Auditorium Tract C

on first floor
above Tract A




Book your Booth: www.EFCF.com/ByB

FLOORPLAN
EFCF 2024
 KKL, Lucerne, Switzerland 2-5 July

List of Exhibitors

www.EFCF.com/ExhibList

Booth No	Company	Booth No	Company	Booth No	Company
TRACT B		B19	HORIBA FuelCon Barleben / Germany	A11	Admiral Instruments Arizona / United States
B01	Fiaxell Sarl Lausanne / Switzerland	B20	smk systeme metall kunststoff gmbh & co. kg Filderstadt / Germany	A12	WOLF Energetik GmbH Dresden / Germany
B02	SulfaTrap LLC Colorado / United States	B21	Kerafol Keramische Folien GmbH & Co. KG Eschenbach / Germany	A13	INERGIO Technologies SA Renens / Switzerland
B03	Nexceris – fuelcellmaterials Lewis Center OH / United States	B22	VERMES Microdispensing GmbH Holzkirchen / Germany	A14	Eco Analytics Münsing / Germany
B04	Burkert Schweiz AG Hünenberg / Switzerland	B23	Zahner-Elektrik GmbH & Co. KG Kronach / Germany	A15	Celectis Sion / Switzerland
B05	I-GraphX GmbH Reinbek / Germany	B24	Linde AMT GmbH Wiggensbach / Germany	TRACT C	
B06	BioLogic Science Instruments GmbH Göttingen / Germany	TRACT A		C01	Ceramic Powder Technology AS Tiller / Norway
B07/B08	Forschungszentrum Jülich GmbH Jülich / Germany	A01	CEA Liten Grenoble / France	C02	Samsung Electro-Mechanics Suwon City / Republic of Korea
B09	Morgan Advanced Materials Windsor / United Kingdom	A02	Elcogen SA Tallin / Estonia	C03	Johnson Matthey London / United Kingdom
B10	Haiku Tech Europe B.V. Maastricht / The Netherlands	A03	Saint-Gobain Rödental / Germany	C04	Ivium Technologies Eindhoven / The Netherlands
B11	COMSOL Multiphysics GmbH Zurich / Switzerland	A04	Tutco SureHeat Berlin / Germany	C05	Bosal Energy N.V. Lummen / Belgium
B12	Imerys Murg GmbH Laufenburg / Germany	A05	Keramischer OFENBAU GmbH Hildesheim / Germany	C06	Feintool International Holding AG Lyss / Switzerland
B13	SolydEra S.p.A. Pergine Valsugana / Italy	A06	Heraeus Precious Metals GmbH & Co KG Hanau / Germany	C06	SITEC Industrietechnologie GmbH Chemnitz / Germany
B14	German Aerospace Centre Cologne / Germany	A07	Vireca Ledeburg / Belgium		
B15	ONEJOON GmbH Bovenden / Germany	A08	CAP CO., Ltd. Yokohama / Japan		
B16	SRT-Microcéramique Vendôme / France	A09	Euro Support B.V. Amersfoort / The Netherlands		
B17	Scribner Southern Pines / United States	A10	Niterra EMEA GmbH Ratingen / Germany		
B18	FLEXITALLIC Ltd West Yorkshire / United Kingdom				