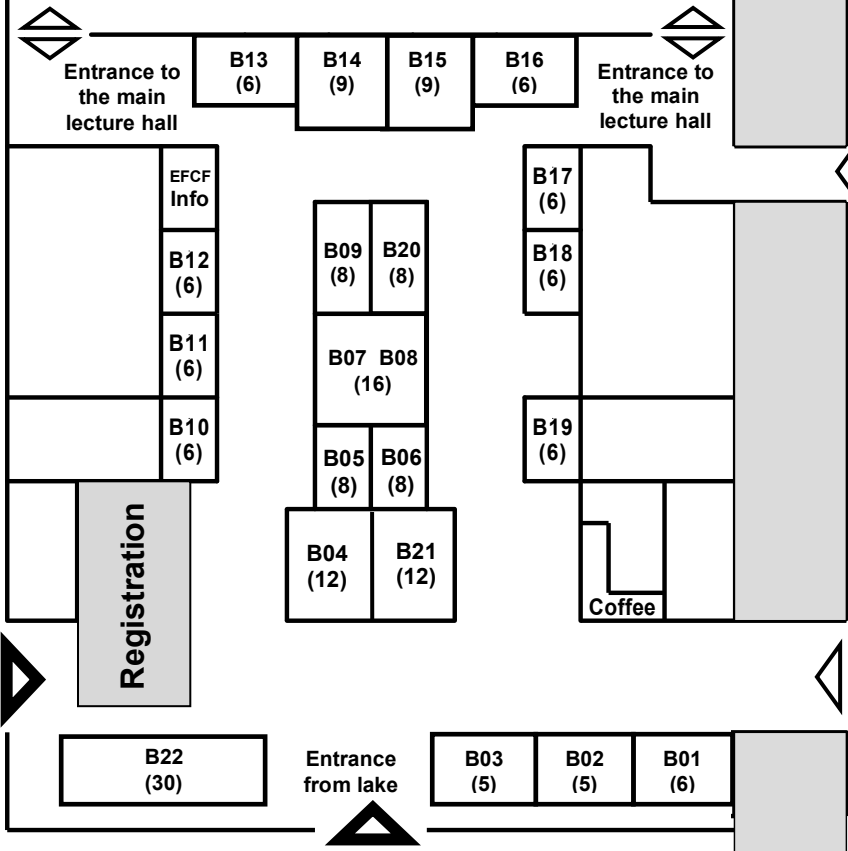


# Tract B

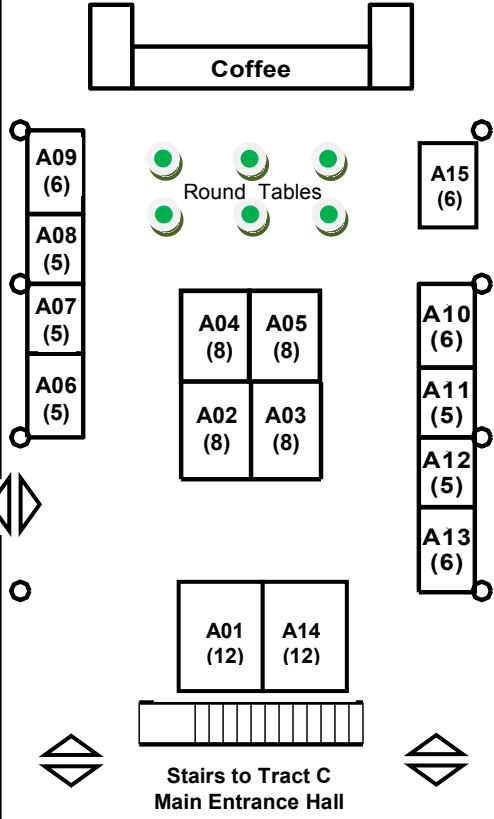
Main Foyer Luzerner Saal



Below Auditorium

# Tract A

on ground floor

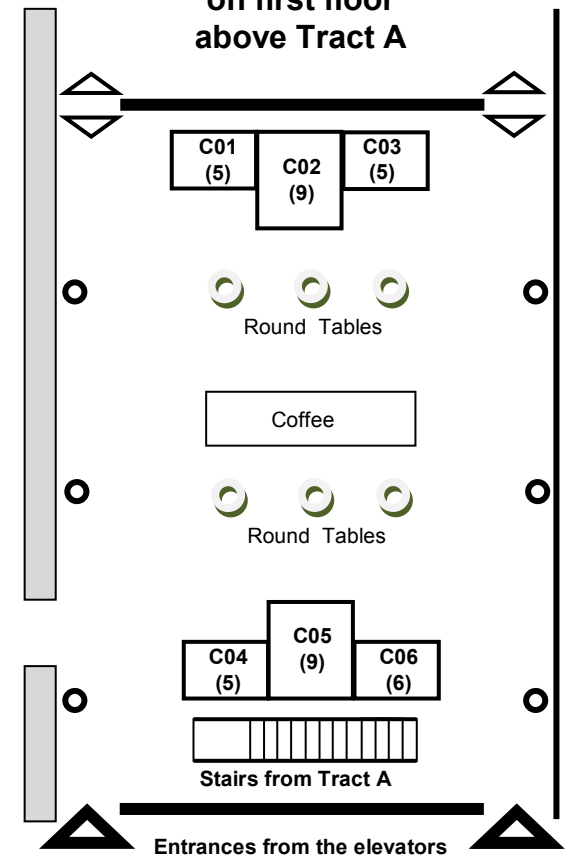


**Legend:**  
 A1-15, B1-20, C1-6 Booth identification  
 (6), (9), (12), (16), etc. Booth area in m<sup>2</sup>

**Exhibitor List**  
[www.EFCF.com/ExhibList](http://www.EFCF.com/ExhibList)

# Auditorium Tract C

on first floor  
above Tract A



Book your Booth: [www.EFCF.com/ByB](http://www.EFCF.com/ByB)

**FLOORPLAN**  
**EFCF** 2024  
 KKL, Lucerne, Switzerland 2-5 July

# List of Exhibitors

[www.efcf.com/ExhibList](http://www.efcf.com/ExhibList)

Booth No	Company	Booth No	Company	Booth No	Company
	<b>TRACT B</b>	B18	<b>FLEXITALLIC Ltd</b> West Yorkshire / <b>United Kingdom</b>	A12	<b>WOLF Energetik GmbH</b> Dresden / <b>Germany</b>
B01	<b>Fiaxell Sarl</b> Lausanne / <b>Switzerland</b>	B19	<b>HORIBA FuelCon</b> Barleben / <b>Germany</b>	A13	<b>INERGIO Technologies SA</b> Renens / <b>Switzerland</b>
B02	<b>SulfaTrap LLC</b> Colorado / <b>United States</b>	B20	<b>smk systeme metall kunststoff gmbh &amp; co. kg</b> Filderstadt / <b>Germany</b>	A14	<b>Eco Analytics</b> Münsing / <b>Germany</b>
B03	<b>Nexceris – fuelcellmaterials</b> Lewis Center OH / <b>United States</b>	B21	<b>Kerafol Keramische Folien GmbH &amp; Co. KG</b> Eschenbach / <b>Germany</b>	A15	<b>Celectis</b> Sion / <b>Switzerland</b>
B04	<b>Burkert Schweiz AG</b> Hünenberg / <b>Switzerland</b>	B22	<b>Nürnberg Messe / Bayern International</b> Nürnberg / <b>Germany</b>		
B05	<b>I-GraphX GmbH</b> Reinbek / <b>Germany</b>				<b>TRACT C</b>
B06	<b>BioLogic Science Instruments GmbH</b> Göttingen / <b>Germany</b>		<b>TRACT A</b>	C01	<b>Ceramic Powder Technology AS</b> Tiller / <b>Norway</b>
B07/B08	<b>Forschungszentrum Jülich GmbH</b> Jülich / <b>Germany</b>	A01	<b>CEA Liten</b> Grenoble / <b>France</b>	C02	<b>Samsung Electro-Mechanics</b> Suwon City / <b>Republic of Korea</b>
B09	<b>Morgan Advanced Materials</b> Windsor / <b>United Kingdom</b>	A02	<b>Elcogen SA</b> Tallin / <b>Estonia</b>	C03	<b>Johnson Matthey</b> London / <b>United Kingdom</b>
B10	<b>Haiku Tech Europe B.V.</b> Maastricht / <b>The Netherlands</b>	A03	<b>Saint-Gobain</b> Rödental / <b>Germany</b>	C04	<b>Ivium Technologies</b> Eindhoven / <b>The Netherlands</b>
B11	<b>COMSOL Multiphysics GmbH</b> Zurich / <b>Switzerland</b>	A04	<b>Tutco SureHeat</b> Berlin / <b>Germany</b>	C06	<b>Feintool International Holding AG</b> Lyss / <b>Switzerland</b>
B12	<b>Imerys Murg GmbH</b> Laufenburg / <b>Germany</b>	A05	<b>Keramischer OFENBAU GmbH</b> Hildesheim / <b>Germany</b>	C06	<b>SITEC Industrietechnologie GmbH</b> Chemnitz / <b>Germany</b>
B13	<b>SolydEra S.p.A.</b> Pergine Valsugana / <b>Italy</b>	A06	<b>Heraeus Precious Metals GmbH &amp; Co KG</b> Hanau / <b>Germany</b>		
B14	<b>German Aerospace Centre</b> Cologne / <b>Germany</b>	A07	<b>Vireca</b> Ledeberg / <b>Belgium</b>		
B15	<b>ONEJOON GmbH</b> Bovenden / <b>Germany</b>	A08	<b>CAP CO., Ltd.</b> Yokohama / <b>Japan</b>		
B16	<b>SRT-Microcéramique</b> Vendôme / <b>France</b>	A10	<b>Niterra EMEA GmbH</b> Ratingen / <b>Germany</b>		
B17	<b>Scribner</b> Southern Pines / <b>United States</b>	A11	<b>Admiral Instruments</b> Arizona / <b>United States</b>		

