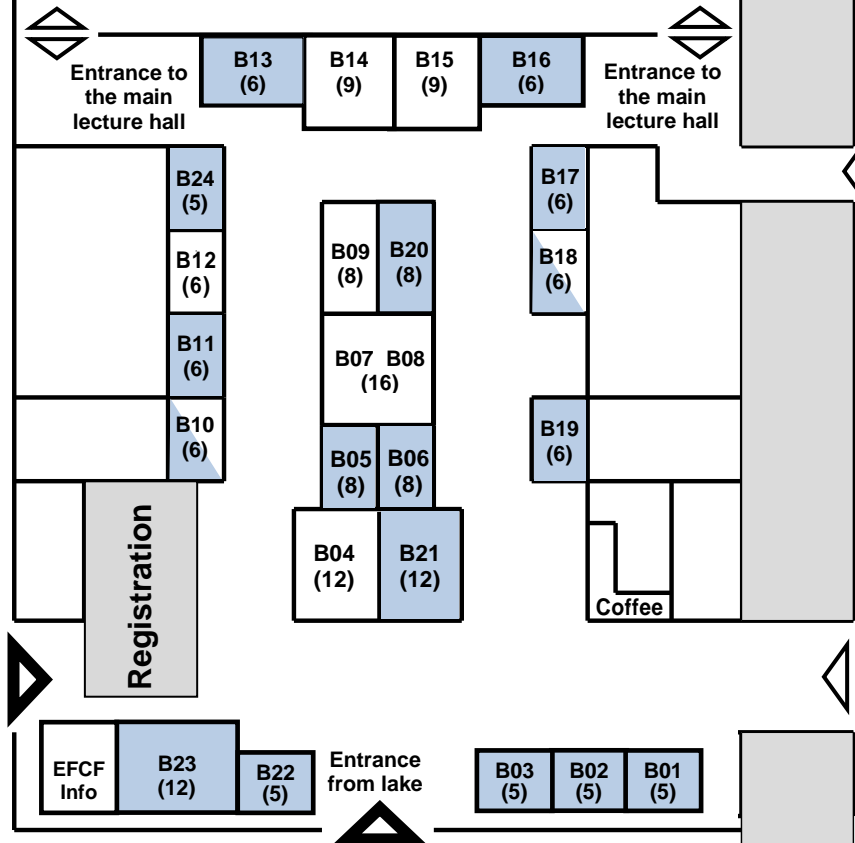


Tract B

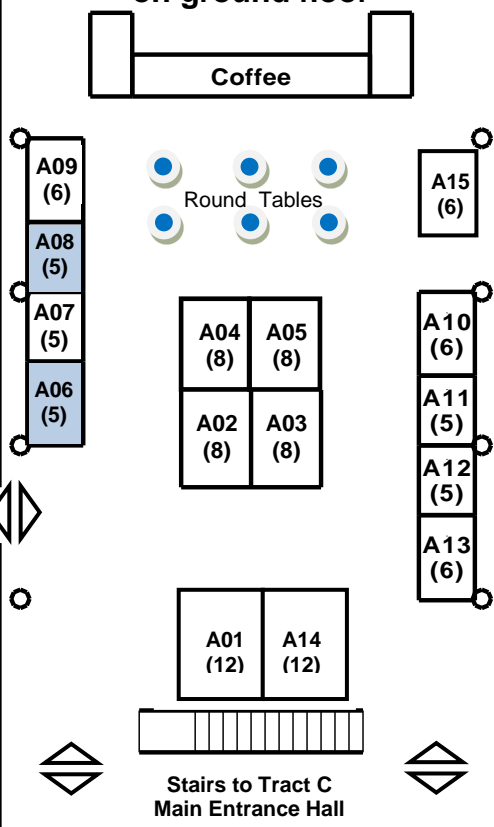
Main Foyer Luzerner Saal



Below Auditorium

Tract A

on ground floor

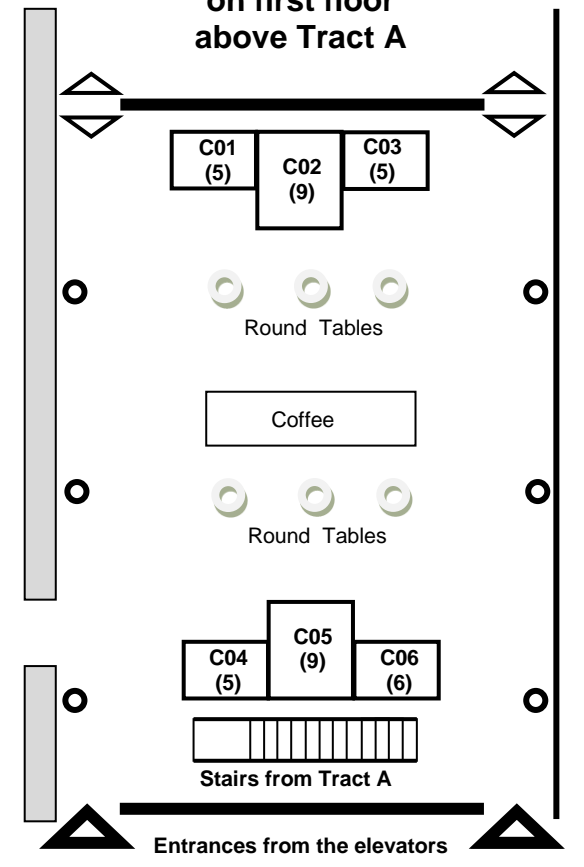


Legend:
 A1-15, B1-20, C1-6 Booth identification
 (6), (9), (12), (16), etc. Booth area in m²

Book your Booth
<http://www.EFCF.com/ByB>

Auditorium Tract C

on first floor
above Tract A



FLOORPLAN
EFCF 2025
 Lucerne Switzerland 1 - 4 July