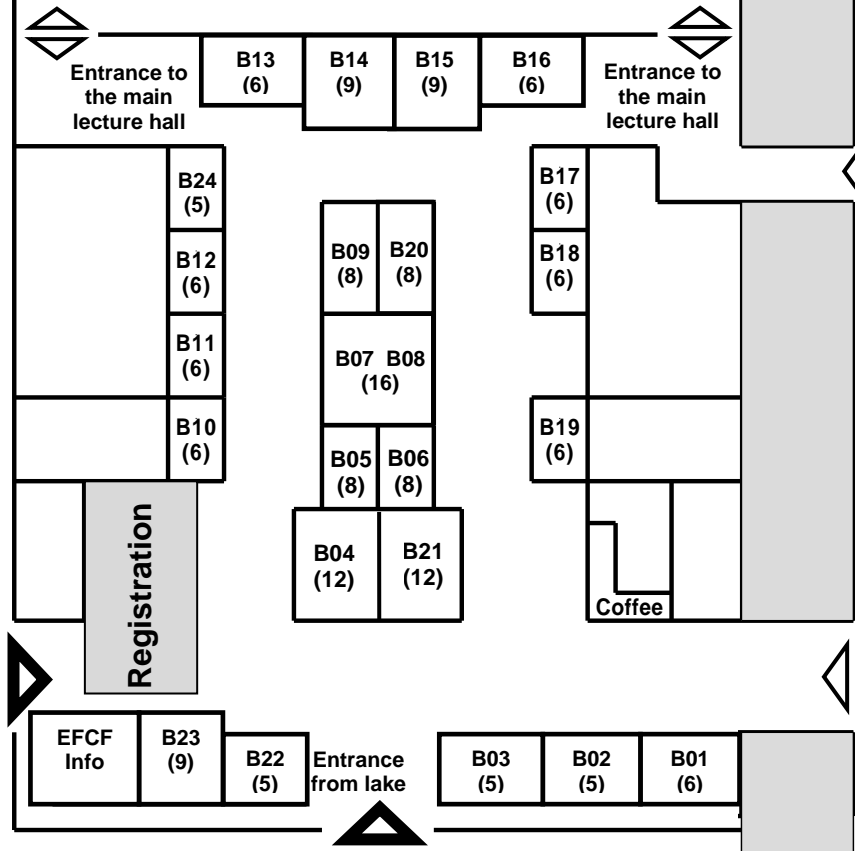


# Tract B

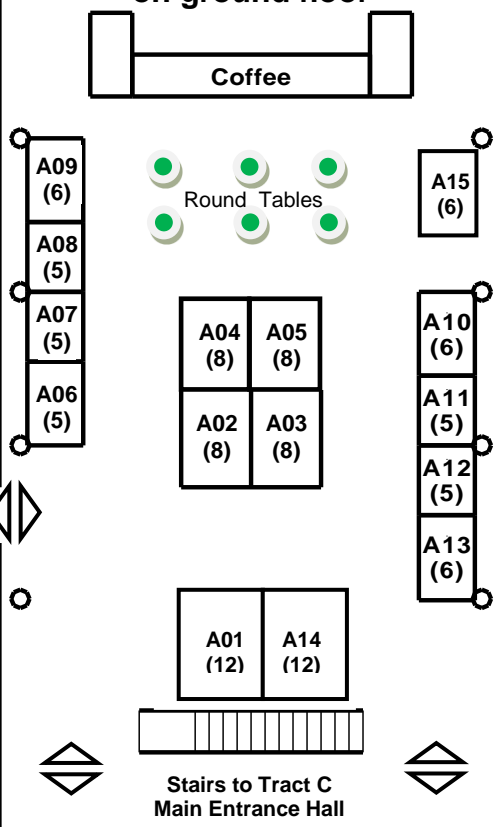
Main Foyer Luzerner Saal



Below Auditorium

# Tract A

on ground floor

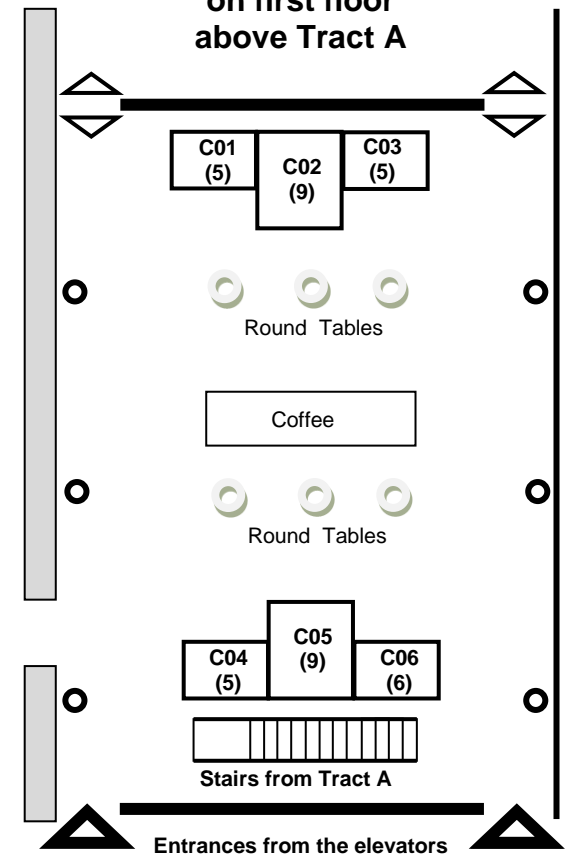


**Legend:**  
 A1-15, B1-20, C1-6 Booth identification  
 (6), (9), (12), (16), etc. Booth area in m<sup>2</sup>

**Safeguard your Booth**  
<http://www.EFCF.com/SyB>

# Auditorium Tract C

on first floor  
above Tract A



Book your Booth: [www.EFCF.com/ByB](http://www.EFCF.com/ByB)

**FLOORPLAN**  
**EFCF** 2026  
 Lucerne/Switzerland 30 June – 3 July